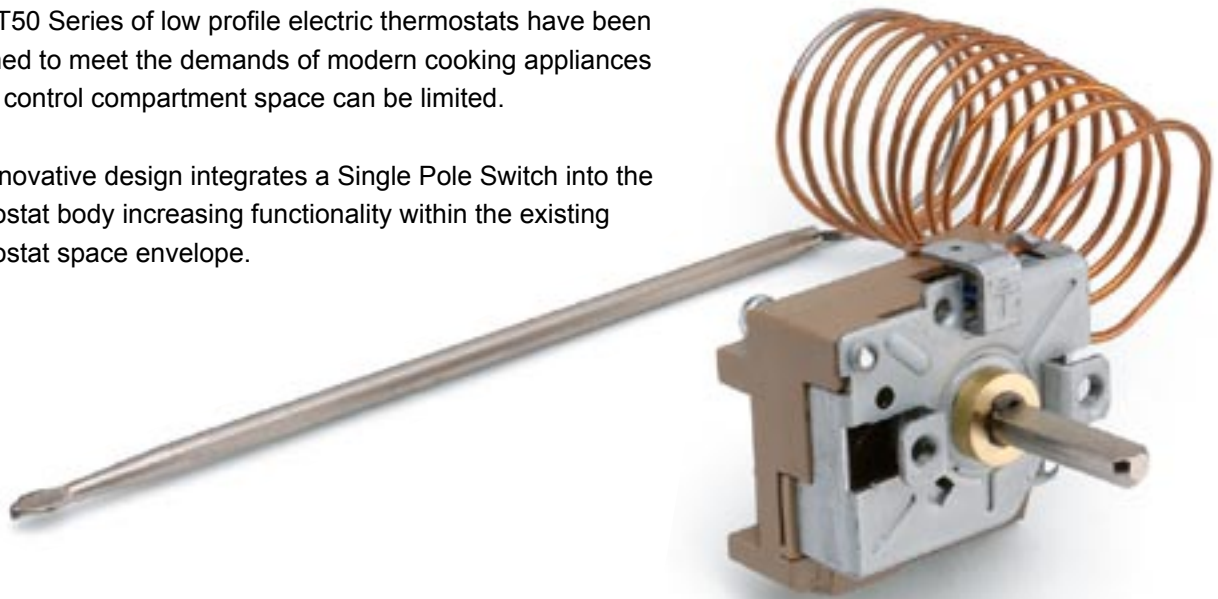


ET5* Series Electric Thermostats



The ET50 Series of low profile electric thermostats have been designed to meet the demands of modern cooking appliances where control compartment space can be limited.

The innovative design integrates a Single Pole Switch into the thermostat body increasing functionality within the existing thermostat space envelope.



Types

- ET50** Single Pole Thermostat
- ET51** Single Pole Thermostat + Integral Single Pole Switch
- ET52** Single Pole Thermostat + Single Module Front Switch
- ET53** Single Pole Thermostat + Double Module Front Switch
- ET54** Single Pole Thermostat + Integral Single Pole Switch + Single Module Front Switch
- ET58** Single Pole Thermostat + Integral Single Pole Switch + Double Module Front Switch

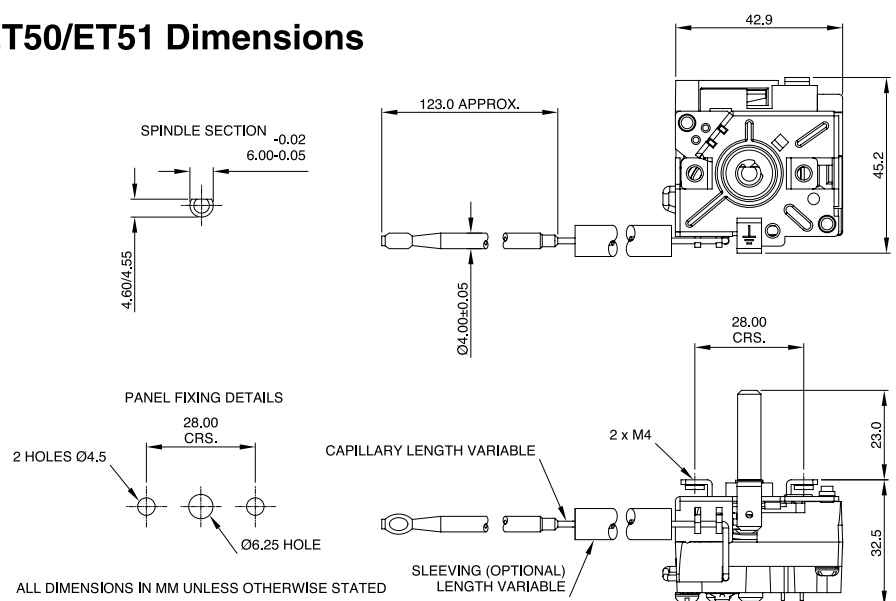
NB. Thermal contacts break on temperature rise.

ET50/ET51 Dimensions

The ET50 & ET51 versions share the same height, width & depth profile.

The ET51 allows the customer to operate an oven fan &/or pilot light within the same size constraints as the basic ET50 thermostat.

ET50/ET51 Dimensions



ET5* Series Electric Thermostats



Specification for ET5* Series

Rating

Thermal Contacts A-B 24-240V AC, 50Hz, 16A resistive

Signal Contacts A-C 24-240V AC, 50Hz, 1A, 0.35pf inductive

Auxiliary Switch 24-240V AC, 50Hz, 13A resistive

Temperature Rating T125°C

Terminations 6.3 x 0.8 push-on type

Spindle Rotation 6.0mm diameter single D Section

Fully rotational or restricted movement from 0° to 310° ↺

Mounting

Two screw fixing

2 x M4 screws at 28mm centres

5.5mm max. screw insertion

Scale Rates

Thermal scale is designed to meet customer requirements

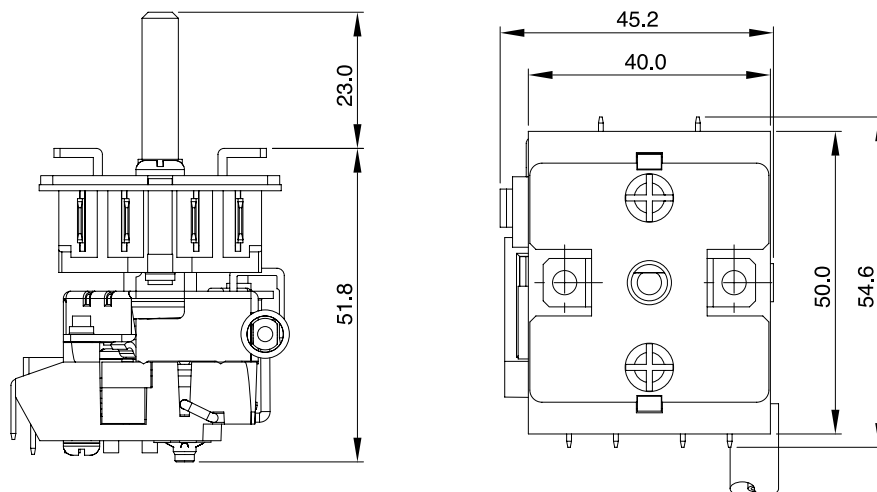
Approvals

Complies with EN 60 730-2-1 & EN 60 730-2-9

ET52/ET54 Dimensions

The ET52, ET53, ET54 & ET58 versions incorporate auxiliary switch module(s) for use with grill/oven combinations.

ET52 Dimensions



ALL DIMENSIONS IN MM UNLESS OTHERWISE STATED
PHIAL, CAPILLARY, MOUNTING DETAILS AS PER ET50/ET51

ET5 Series Electric Thermostats
Dimensions and specifications subject to change without notice.*

Diamond H Controls Ltd, Diamond Road, Norwich, Norfolk, NR6 6AH, England

Telephone: +44 (0) 1603 425 291 Fax: +44 (0) 1603 424 907 Web: www.diamond-h.com Email: info@diamond-h.com